

# Euro Clamp

## Product Information

- High quality 2-part clamping system
- Finished with a quality zinc plate
- 2 clamps required per arm

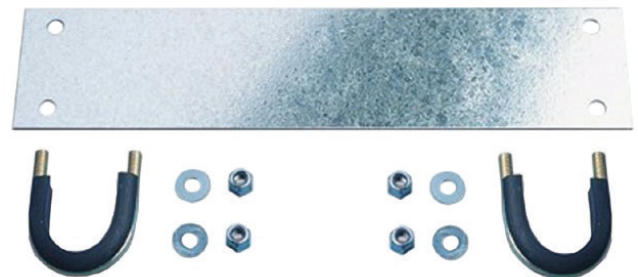
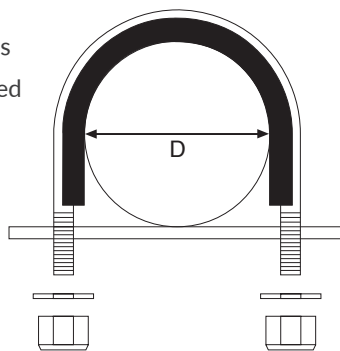


Part No.	To Suit Tube Diameter
EC42	42mm

# U Bolt Clamps

## Product Information

- Backplate galvanised finish
- Full kit fits **one pair** of mudguards
- Neoprene anti-slip sleeve included



Kit Part No.	U Bolt Part No.	Black Plate Part No.	To Suit Tube Diameter (D)	Suits Mudguard
UB35NK	UB35	UB35BPN	35mm	Up To 570mm Wide
UB35WK	UB35	UB35BPW	35mm	Over 570mm Wide
UB42NK	UB42	UB42BPN	42mm	Up To 570mm Wide
UB42WK	UB42	UB42BPW	42mm	Over 570mm Wide
UB50NK	UB50	UB50BPN	50mm	Up To 570mm Wide
UB50WK	UB50	UB50BPW	50mm	Over 570mm Wide

A Complete Kit Contains Enough Components To Fit ONE PAIR OF MUDGUARDS

U Bolt Part No's Come Complete With Neoprene Anti-Slip Sleeve, Nyloc Nuts And Washers