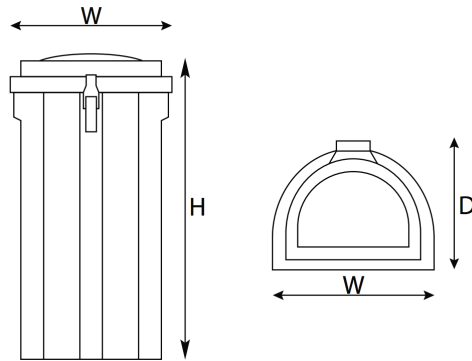


# Top Loading Fire Extinguisher Case

## Product Information

- Lightweight – manufactured from Polyethylene
- High chemical and impact resistance
- Waterproof seal
- Internal Extinguisher restraining strap
- Easy fitment
- All fixings coated with anti-corrosive protection

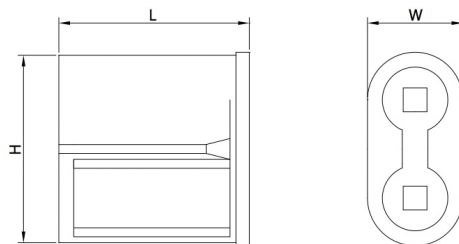


Part No.	Width (W)	Height (H)	Depth (D)	Description
<b>BJB18EF</b>	310mm	675mm	280mm	Top Loading Spill Kit Case Complete with all Bracketry
<b>BJB18E</b>	310mm	675mm	280mm	Top Loading Fire Extinguisher Case Only
<b>BJB18FIX</b>	–	–	–	Fixing Bracket Kit to suit BJB18E
Compatible with most 6Kg, 9Kg & 12Kg Fire Extinguishers				

# Extinguisher & Spill Kit Combi-Box

## Product Information

- Dual Purpose Extinguisher and Spill Kit Case
- Moulded from heavy duty polyethylene
- Suitable for Extinguishers up to 9kg
- Water resistant seal



Part No.	Width (W)	Height (H)	Depth (D)	Description
<b>BJB22ES</b>	320mm	650mm	640mm	Dual Purpose Extinguisher and Spill Kit Case with Brackets