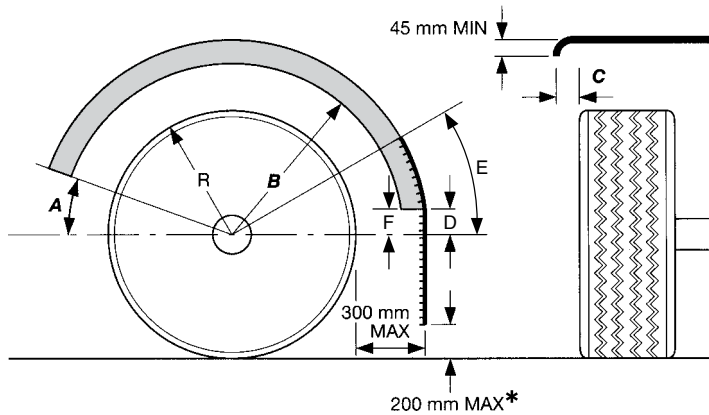


Basic Fitment Criteria UK & EU Specifications

Mudguards and Flaps



Twin & Tri Axles

If the gap between the tyres is less than 2500mm, a flap on the rear mudguard only is necessary.

Flap Width

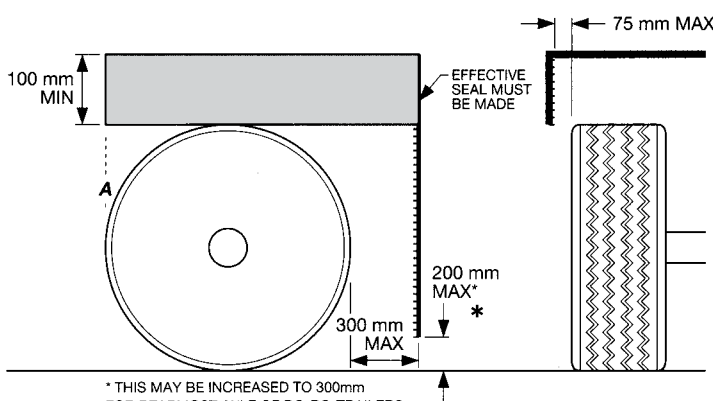
The flap should cover the full breadth of the tyre(s), except inside the mudguard, where it must cover the tyre tread(s) as a minimum.

* This may be increased to 300mm if the manufacturer deems it technically appropriate with regard to the suspension characteristics.

Basic Fitment Criteria & EU Specifications

Size	Non Steered	Steered
Dimension A	20° Maximum	30° Maximum
Dimension B	1.25R Maximum	1.5R Maximum
Dimension C	75mm Maximum	100mm Maximum
Dimension D	100mm Minimum UK specification or	100mm Minimum UK specification or
Dimension E	30° Minimum Euro specification	30° Minimum Euro specification
Dimension F	100mm Maximum	100mm Maximum

Flap Valance



Twin & Tri Axles

If the gap between the tyres is less than 250mm, a flap behind the rear most axle only, is necessary. However, the valance must continue and span the full length from Point A (see drawing) through to the flap behind the rear most axle.

Flap Width

The flap must cover the entire tyre breadth.

* This may be increased to 300mm if the manufacturer deems it technically appropriate with regard to the suspension characteristics.

EC Whole Vehicle Type Approval

With the advent of EC Whole Vehicle Type Approval, 2007/46/EC introduced in 2007 and certain amendments made latterly. It is now a mandatory requirement on vehicle categories N₂ (vehicles over 7.5 tonnes) N₃, O₃ and O₄, to adopt the European Fitment Criteria, which can only be achieved in most cases with Spray Suppressions mudflaps of 710mm and over in length. UK specification Spray Suppression mudflaps are permissible for retrofit on vehicles registered prior to EC Whole Vehicle Type Approval. For full and detailed fitment criteria, please refer to EU Regulation 109/2011 (Released 9.2.2011 – Updated 24.2.2015).